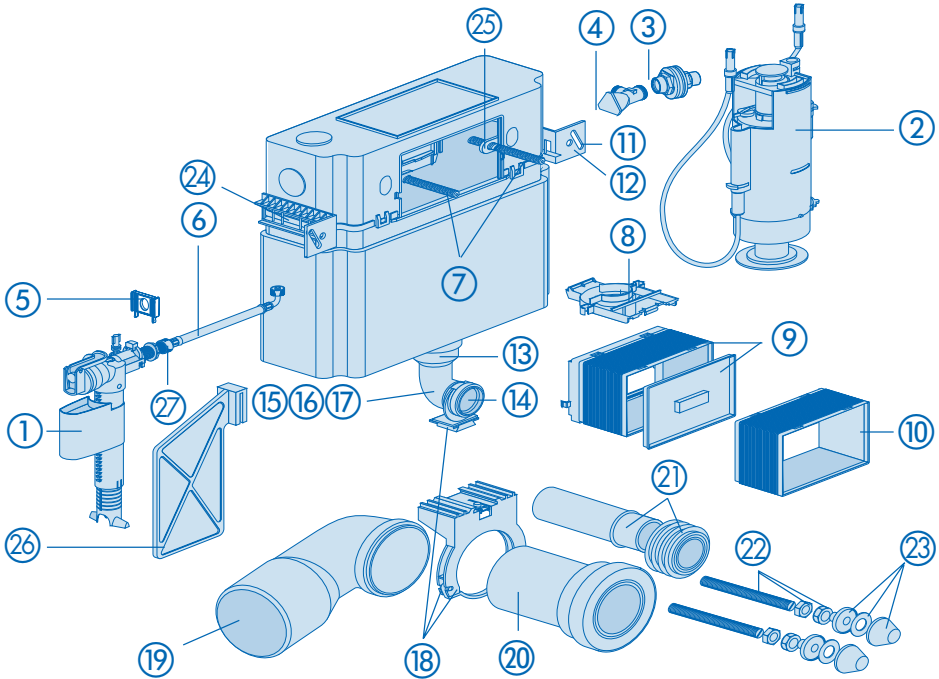


2.3. Spare parts - SANIT WC-element 995N and 980N, with small access opening



No.	Name	Code-No.	Recommended Price/€
1	Universal float valve 510, 3/8"	25.001.00..0000	
2	Flush valve	01.220.00..0000	
3	Connection for water supply	04.029.00..0000	
4	Angle valve 1/2"	02.425.00..0000	
5	Support for float valve	02.759.00..0000	
6*	Flexible hose with seals	03.294.00..0000	
7	Quick fixation bolts (pairs)	01.231.00..0000	
8	Positioning device	02.749.00..0000	
9	Protection box with cover	16.030.00..0000	
10	Protection box	02.170.00..0000	
11	Bracket (525 mm), 1 pair	02.751.00..0000	
12	Bracket (450 mm), 1 pair	02.752.00..0000	
13	Conical ring Ø 49 x 6	02.753.00..0000	
14	Lip sealing ring Ø 45	02.461.00..0000	
15	Flush pipe with O-ring (BH 1185)	01.232.00..0000	
16	Flush pipe with O-ring (BH 985)	01.234.00..0000	
17	Flush pipe with O-ring (BH 820)	01.236.00..0000	
18	SANIT pipe support clip	01.821.00..0000	
19	WC connector 90°, DN 90/DN 100	58.901.00..0000	
20	WC connector DN 90	01.829.00..0000	
21	Flush pipe connector	58.992.00..0000	
22	Bolts for WC-pan fixation M 12	01.827.00..0000	
23	Cover-up accessories	58.991.00..0000	
24	Pin	02.866.00..0000	
25	Support bracket toggle	02.972.00..0000	
26	Float valve protection	02.967.00..0000	
27	Conical ring Ø 8 x 1.5 for flexible hose	04.024.00..0000	

* New - from series production status 6, 2006 on